

MANISCOPIC

MLT 845 - 120 LSU

- Lifting height : 7.55 m
- Capacity : 4500 kg
- Maximum forward reach : 4.57 m
- Torque convertor
- 4 wheel-drive
- Engine : 123 HP
- Load Sensing Ultra : 150 l/mn - 240 bars

LOAD SENSING ULTRA



MLT 845 - 120 LSU - TFF 45 MT 1040



MT 845 - 120 LSU

Lift capacity4500 kg
 at 500 mm from forks heels
Tipping load
 at maximum reach1422 kg
Tear out force with toothed digging bucket
 to ISO 8313 with tilting ram6760 daN

Lift height7.55 m
Times : unladen/loaded (in s)
 Lifting7.9/8.6
 Lowering5/4.6
 Boom extension7.6/7.9
 Boom retraction5.6/5.7
Time unladen (in s)
 Crowd3.7
 Dump3.2

Tyres
 460/70 R24 IT520 150 A8

Forks (mm)
 Length1200
 Width x thickness125 x 45
 Maximum distance between forks1165
 Carriage rotation142°

Multidisc brakes hydraulically assisted on both axles

Perkins engine
 Turbo : 1104 C - 44 TA4 cylindres 4400 cm³
 Power (ISO TR 14396)123 HP/90.5 kw
 Maximum torque434 Nm at 1400 rpm
 Direct injection
 Water cooling

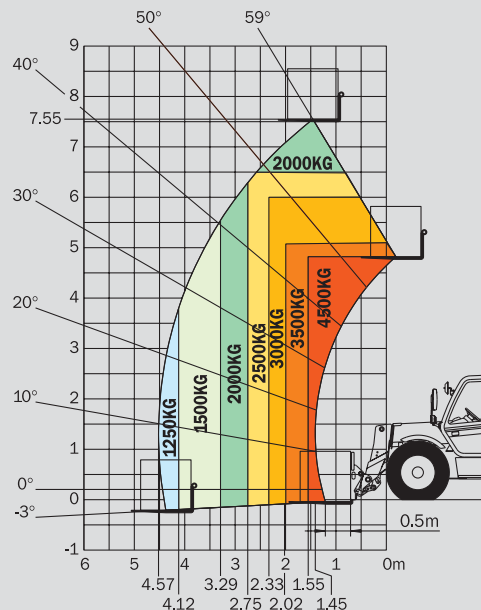
TransmissionTorque convertor
 Electro - hydraulic reversing shift
 4 speeds forward and reverse
 Maximum travel speed25 km/h*

Turbo 120 LSU :150 l./mn - 270 bars
 Load Sensing pump with electronic control
 Electro proportional command monolever
 Flow divider with load sensing device driving and braking

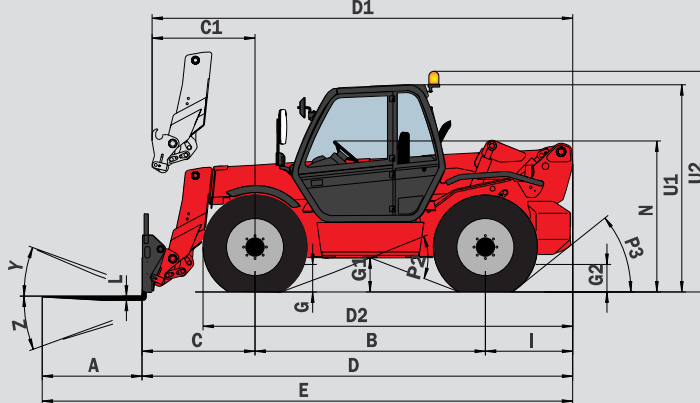
Capacities
 Cooling system26.5 l.
 Engine oil11 l.
 Hydraulic oil131 l.
 Transmission oil16 l.
 Fuel tank135 l.

Weight unladen (with forks)8300 kg
Overall width2.37 m
Overall height2.53 m
Turning radius (outside wheels)4.23 m
Overall length5.20 m
Ground clearance0.42 m
Drawbar pull10350 daN

Reach at maximum height : 1.46 m



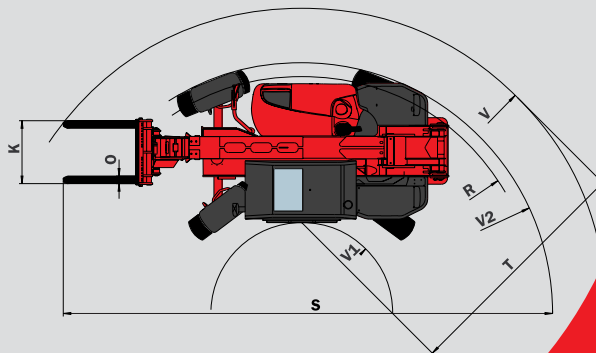
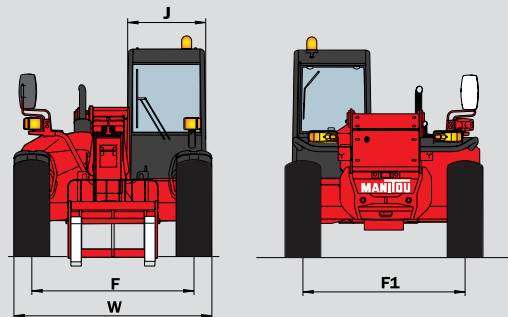
Under
 EN 1459
 annexe B



MLT 845 - 120 LSU

A	1200
B	2770
C	1380
C1	1315
D	5200
D1	5135
D2	4380
E	6400
F	1950
F1	1950
G	440
G1	415
G2	440
I	1050
J	950
K	1165
L	45
N	1870 à 1920
O	125
P2	43.5°
P3	40°
R	4020
S	8195
T	4290
U1	2535
U2	2715
V	5450
V1	1575
V2	4230
W	2375
Y	12°
Z	130°

mm



This publication in no way constitutes an offer and the company reserves the right to alter specification without prior notice.
 The MANITOU models presented in this brochure can be supplied complete with optional equipment attachments.
 PATENTS FR 93 14367 - EP 0 656 315 - US PENDING



MANITOU B.F. S.A.
 B.P.249 - 44158 ANCENIS CEDEX - FRANCE
 TEL : 33 2 40 09 10 11
 EXPORT DEPARTMENT FAX : 33 2 40 09 10 97
 www.manitou.com